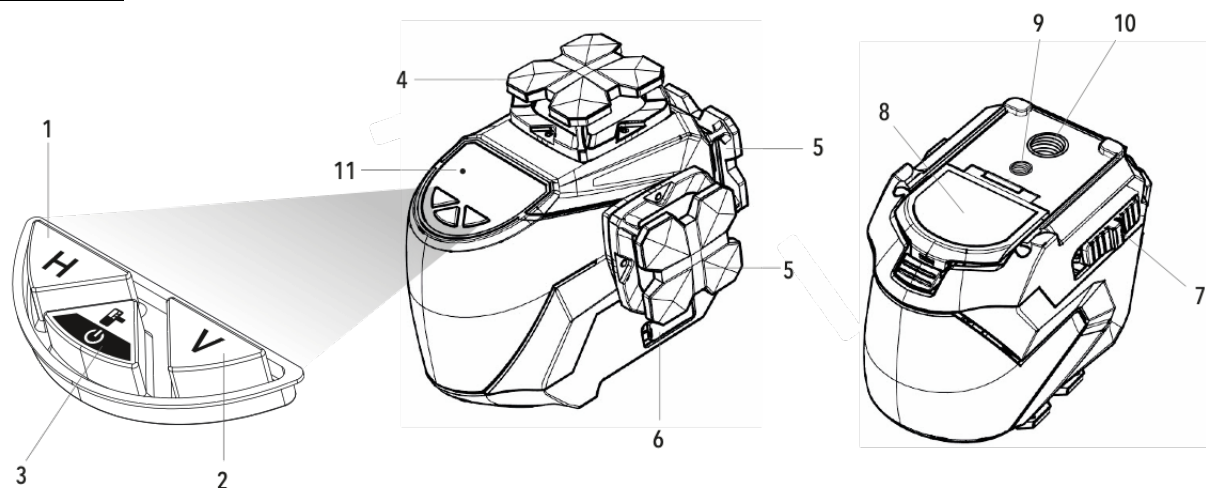


INSTRUCTION MANUAL [EN]

LL6305 – 3D CROSS LINE LASER GREEN

OVERVIEW



- | | |
|----------------------------------|---|
| 1. Button horizontal line | 7. Transport security - On/off switch |
| 2. Button vertical lines | 8. Battery department |
| 3. On/off - Receiver mode button | 9. 1/4" Threaded mount (for usage with a tripod) |
| 4. Horizontal laser window | 10. 5/8" Threaded mount (for usage with a tripod) |
| 5. Vertical laser window | 11. LED indicator |
| 6. USB-C connector | |

SAFETY & WARRANTY

Read the complete safety and warranty instructions provided together with the device before using.

While the product is in operation, be careful not to expose your eyes to the emitting laser beam.
Do not disassemble the laser tool. There are no user serviceable parts inside.
Do not modify the laser in any way. Modifying the tool may result in hazardous Laser Radiation Exposure.

OPERATING

Keep the Transport security - On/off switch [7] always in lock/Off position (left) during transport or storage.

1. WORK IN SELF-LEVELLING MODE

Slide the transport security - On/off switch [7] to the unlock/On position (right). All laser lines, horizontal and vertical, will light up. The pendulum will be released and the laser will self-level. The LED indicator [11] is green.

If the laser lines flashes continuously and a beeping sound is heard, this means the laser line is not levelled because the position of the laser is out of the levelling range, which is about 3.5°. Put the laser on a much flatter place within the 3.5° levelling range to have a levelled laser line. The laser lines will stop flashing and the beeping sound will stop.

Switch on/off laser horizontal laser lines:

- Press the button horizontal line [1] once Horizontal line will turn off
- Press the button horizontal line [1] a second time Horizontal line will turn on again

Switch on/off laser vertical laser lines:

- Press the button vertical lines [2] once The side vertical line will turn off. The front vertical line stays on.
- Press the button vertical lines [2] a second time The side vertical line will light up again. The front vertical line turns off.
- Press the button vertical lines [2] a third time Both vertical lines will turn off.
- Press the button vertical lines [2] a fourth time Both vertical lines will light up again.

To turn off the laser device, slide the transport security – On/off switch [7] to the lock/Off position (left). All laser lines will be switched off and the pendulum will be blocked in a secure position for transport.

The laser can only be turned off when the pendulum is locked. If all laser lines are switched off, the laser will beep after approx. 30 seconds to indicate the laser device is NOT turned off!

2. WORK IN MANUAL SLOPE MODE

With the transport security – On/off switch [7] in locked/Off position (left), hold the On/off – Receiver mode button [3] for about 3 seconds until all laser lines, horizontal and vertical light up. The laser lines will flash shortly every 5 seconds to alert you the laser line is not levelled! In this case you can use the laser to set a sloped line. You can tilt the laser level in every direction until the laser shows the sloped lines you need.

Switch on/off laser horizontal laser lines:

- Press the button horizontal line [1] once Horizontal line will turn off
- Press the button horizontal line [1] a second time Horizontal line will turn on again

Switch on/off laser vertical laser lines:

- Press the button vertical lines [2] once The side vertical line will turn off. The front vertical line stays on.
- Press the button vertical lines [2] a second time The side vertical line will light up again. The front vertical line turns off.
- Press the button vertical lines [2] a third time Both vertical lines will turn off.
- Press the button vertical lines [2] a fourth time Both vertical lines will light up again.

To turn off the laser device, hold the On/off button – Receiver button [3] for about 3 seconds until all laser lines will be switched off. Unlock and relock the device with the transport security – On/off switch [7] is a alternative way to turn off the device in locked mode.

In Locked mode, when all laser lines are switched off, the laser device will automatically turn off after about 5 minutes of inactivity.

3. RECEIVER MODE

In brighter environments or over longer distances you can work with a laser receiver to detect the laser lines.

In both modes, self-levelling and locked mode, press the On/off – Receiver button [3] shortly to activate the receiver mode.

The laser lines will blink 3 times and a beep can be heard. The LED indicator [11] is now blue. The receiver mode is turned on. This means the laser lines can now be detected by a laser receiver.

Shortly press the On/off – Receiver button [3] again to turn off the receiver mode.

The laser lines will blink 3 times and a beep can be heard. The LED indicator [11] is now back green. The receiver mode is turned off which means the laser lines can no longer be detected by a laser receiver.

4. BATTERY

This laser device uses a Li-ion battery (see specifications) that can be charged on the battery itself or inside the laser device using the USB-C power connector. When charging the battery in the device, the LED indicator [11] flashes green.

When the battery level is below 5% of total capacity, the laser will power off and needs to be charged. The device can be used during charging. It can also be used with the AC-power adapter placed in the USB-C connector, without the battery placed in the device.

MAINTENANCE

The laser tool is sealed and calibrated at the plant to the specified accuracy. It is recommended to carry out an accuracy check before its first use and periodic checks during future use especially for precise layouts. Do not store the laser tool in direct sunlight or expose it to high temperatures. The housing and some internal parts are made of plastics and may become deformed at high temperatures. Exterior plastic parts may be cleaned with a damp cloth. Although these parts are solvent resistant, never use solvents. Use a soft, dry cloth to remove moisture from the tool before storage. Do not dispose this product with household waste.

SPECIFICATIONS

	LL6305 - 3D Cross Line Laser Green
Number of horizontal lines	1x 360°
Number of vertical lines	2x 350°
Levelling accuracy	± 3mm/10m
Levelling	Pendulum levelling
Levelling range	3.5°
Working range	2x 20m
Operating time	Up to 6h. (100%)
Slope function	Manual (pendulum lock)
Battery	7.4V, 2000mAh Li-ion
IP-rating	IP54
Operating temperature	-10°C ~ +50°C
Storage temperature	-20°C ~ +70°C
Lasertype	505-520nm (green) Class 2, <1mW